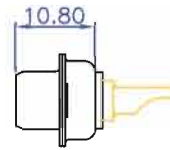
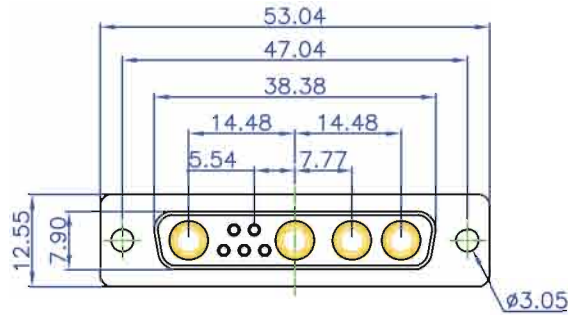


REV		DESCRIPTION	DATE	APPROVED

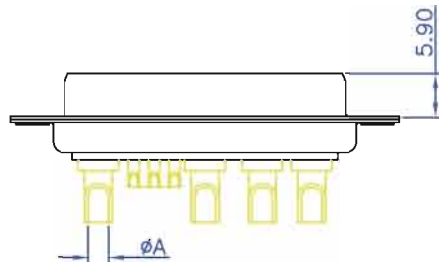


MATERIALS AND FINISH

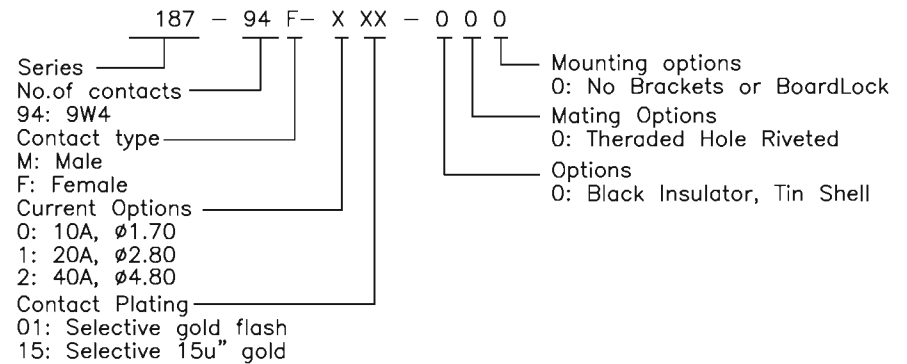
SHELL : STEEL MATERIAL, TIN FINISHED
CONNECTOR INSULATOR : PBT THERMOPLASTIC,
30% GLASS FILLED, UL 94V-0 RATED, BLACK COLOR
HIGH POWER CONTACT MATERIAL: BRASS, 15u" GOLD PLATED

ELECTRICAL CHARACTERISTICS

HIGH POWER CONTACT CURRENT RATING :10,20,OR 40 AMPS
HIGH POWER CONTACT RESISTANCE : 2.7 MILLIOHMS MAX.
DIELECTRIC WITHSTANDING VOLTAGE :
1000 V AC FOR 1 MINUTE
INSULATION RESISTANCE : 5000 MEGAOHMS MIN.
TEMPERATURE RATING : -55°C ~ +125°C



HOW TO ORDER



PART NO.	Current Rating	Dimension
		φ A
187-94F-2XX-000	40 AMPS	φ4.80
187-94F-1XX-000	20 AMPS	φ2.8
187-94F-0XX-000	10 AMPS	φ1.7

TORERANCE	Drawn	Stone	13.11.22
.X ±0.38	Designed	Angela	13.11.22
.XX ±0.25	Approved	Kevin	13.11.22
.XXX ±0.15	TITLE: High Power 9W4 Female Machine Pin Solder		
Angles+/-5°	Ver A0		

ADAMICU®
东莞市亚当电子科技有限公司
Adam Electronic Technology Co.,Ltd

SHEET 1/1 Scale: 1:1 RoHS

Part No. 187-94F-XXX-000